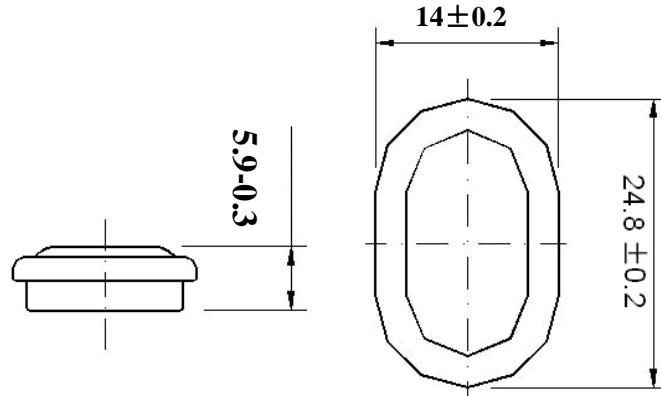


TELONG ENERGY TECHNOLOGY CO., LTD.

Anjia Industrial Zone, HuanGuan South Road, GuanLan Town, ShenZhen City, GuangDong Province, China
 TEL:+86-755-29052355 FAX:+86-755-27981742 E-mail:telongbattery@sztlg.com <http://www.sztlg.com>

150H Ni-MH BUTTON CELL

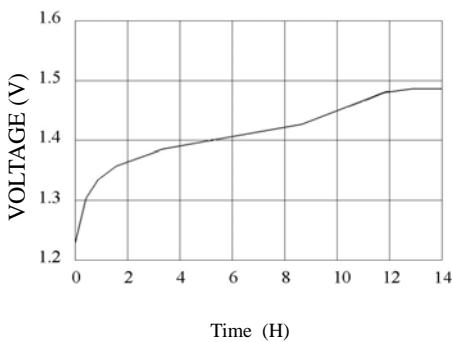
TECHNICAL DATA



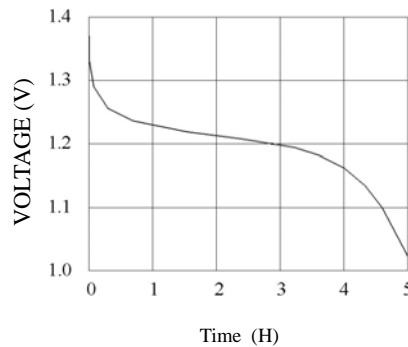
Model	Voltage	Capacity	Recommended Trickle Charge Current	Nominal Charge Current	Normal Charging Time	Nominal Discharge Current	Weight
150H1A	1.2V	150mAh	4.7~7.5mA	15mA	14~16h	30mA	5.3g

TECHNICAL CHARACTERISTICS

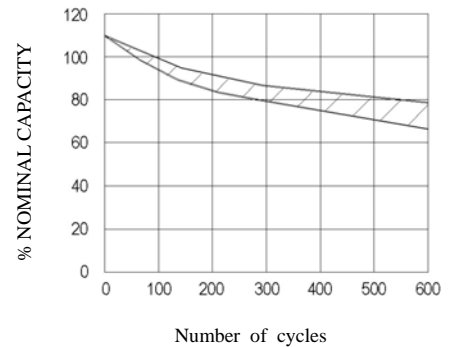
TYPICAL CHARGE CURVE (15mA)



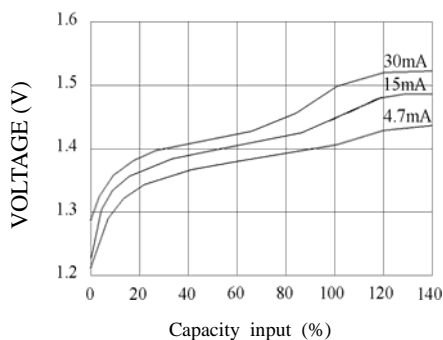
TYPICAL DISCHARGE CURVE (30mA)



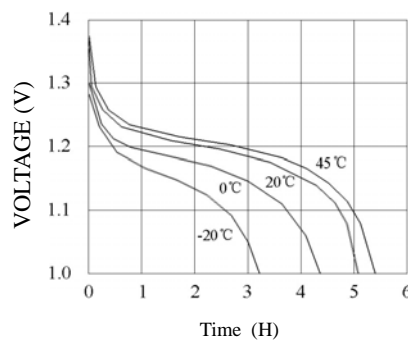
CYCLE LIFE CURVE



TYPICAL CHARGE CURVE AT VARIOUS CURRENTS



DISCHARGE CURVE AT VARIOUS TEMPERATURES (30mA)



SELF DISCHARGE RATE AT VARIOUS TEMPERATURES

