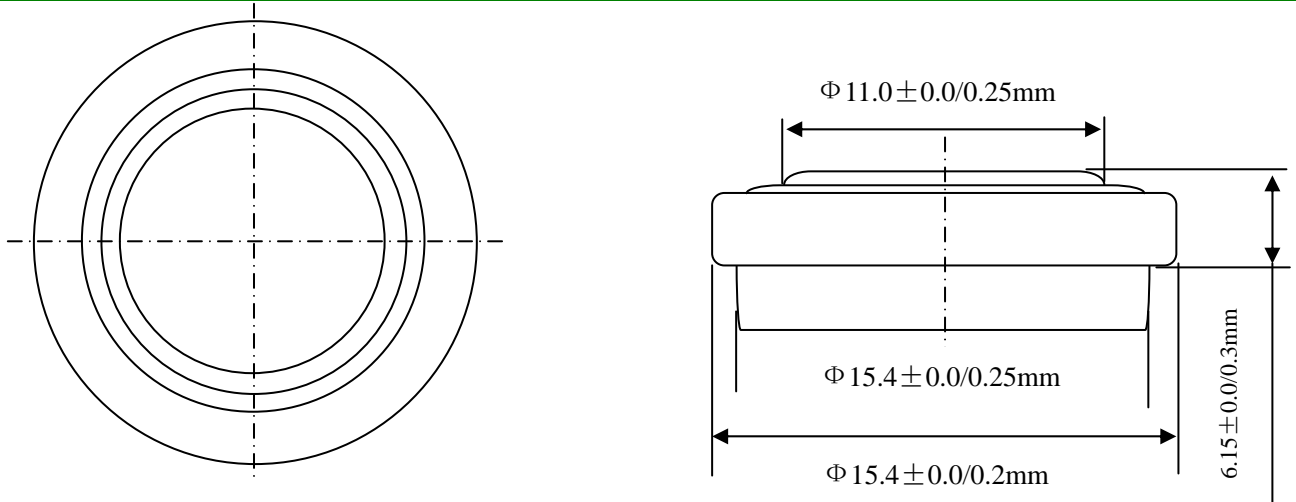


TELONG ENERGY TECHNOLOGY CO., LTD.

Anjia Industrial Zone, HuanGuan South Road, GuanLan Town, ShenZhen City, GuangDong Province, China
TEL:+86-755-29052355 FAX:+86-755-27981742 E-mail:telongbattery@sztlg.com <http://www.sztlg.com>

625A Alkaline Button Cell

TECHNICAL DATA



Model	Voltage	Capacity	Diameter	Height	ICE	JST	Others	Weight
625A	1.5V	178mAh	15.4mm	6.15mm	LR9	/	L1560	3.3g

TECHNICAL CHARACTERISTICS

Standar Discharge Curve:

