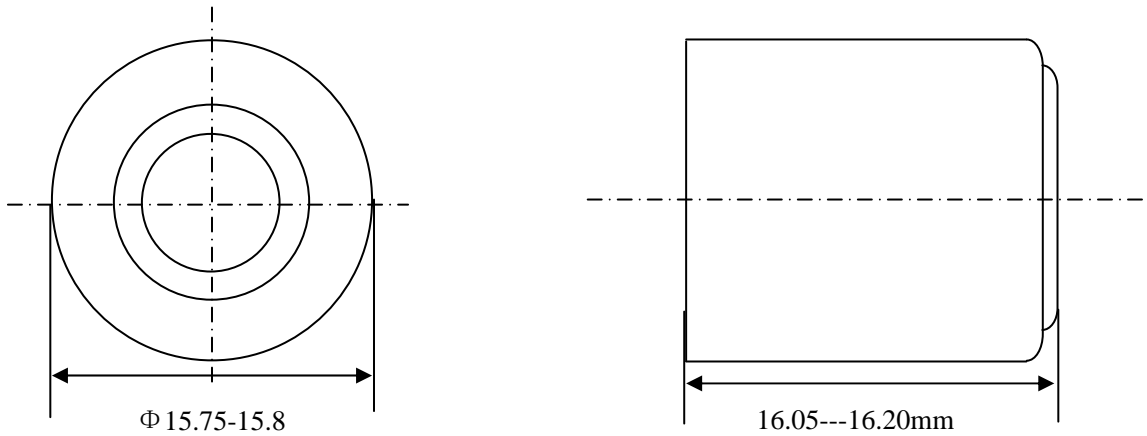


# TELONG ENERGY TECHNOLOGY CO., LTD.

Anjia Industrial Zone, HuanGuan South Road, GuanLan Town, ShenZhen City, GuangDong Province, China  
TEL:+86-755-29052355 FAX:+86-755-27981742 E-mail:[telongbattery@sztlg.com](mailto:telongbattery@sztlg.com) <http://www.sztlg.com>

## LR50 Alkaline Button Cell

### TECHNICAL DATA



Model	Voltage	Capacity	Diameter	Height	ICE	JST	Others	Weight
LR50	1.5V	380mAh	15.8mm	16.2mm	/	/	/	9.3g

### TECHNICAL CHARACTERISTICS

#### Standar Discharge Curve:

