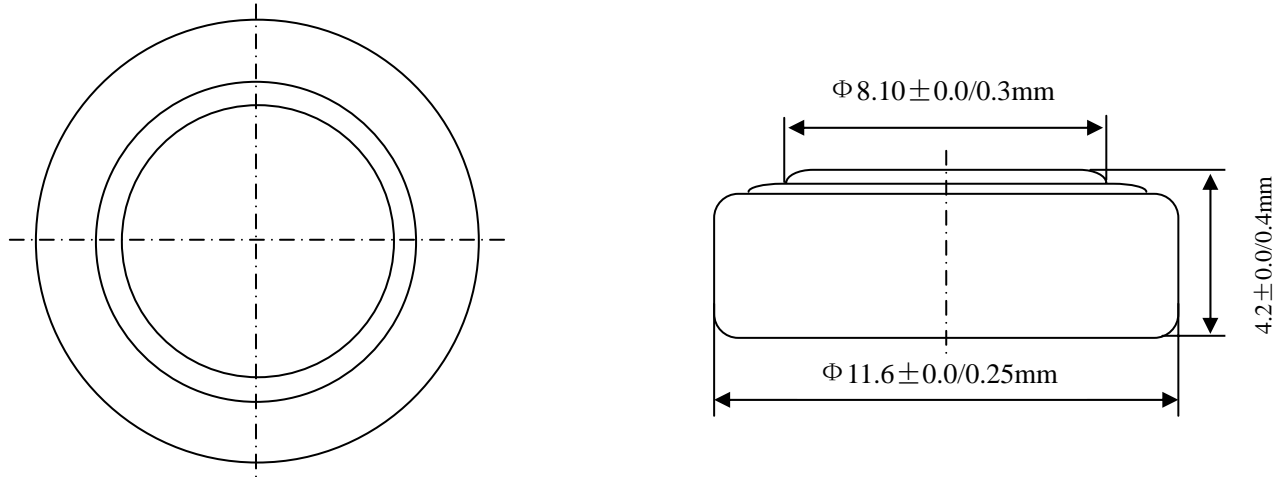


TELONG ENERGY TECHNOLOGY CO., LTD.

Anjia Industrial Zone, HuanGuan South Road, GuanLan Town, ShenZhen City, GuangDong Province, China
 TEL:+86-755-29052355 FAX:+86-755-27981742 E-mail:telongbattery@sztlg.com <http://www.sztlg.com>

SR43 Silver Oxide Button Cell

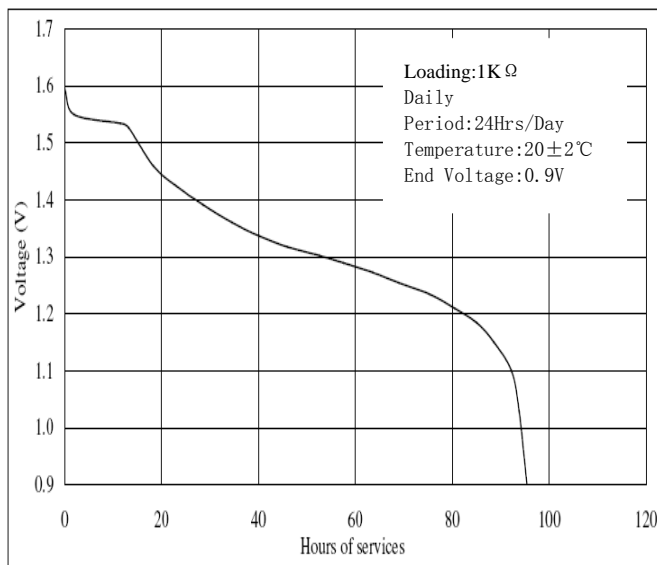
TECHNICAL DATA



Model	Voltage	Capacity	Diameter	Height	ICE	JST	Eveready	Weight
386	1.55V	120mAh	11.6mm	4.2mm	SR43	SR43SW	386	1.49g

TECHNICAL CHARACTERISTICS

Standar Discharge Curve:



Temperature Characteristic:

